

ねじ下穴用ドリルの直径

螺纹底孔直径表

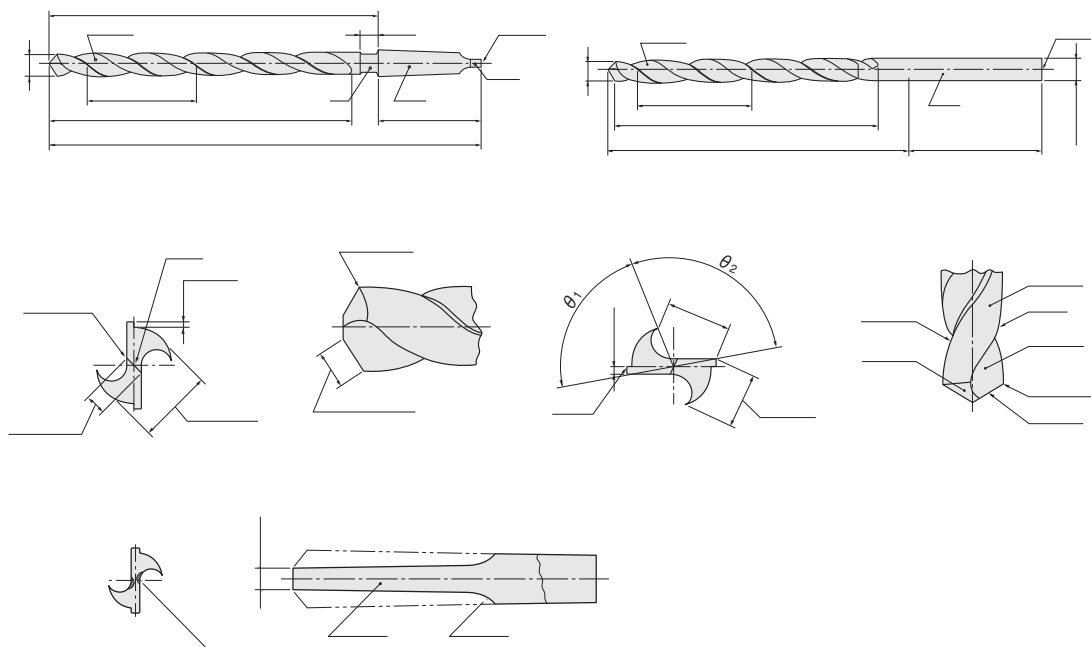
公制螺纹

M×P	D			M×P	D			M×P	D		
M 1 ×0.25	0.75	(0.729)	(0.785)	M 9×0.75	8.30	8.19	8.38	M20×1	19.00	18.92	19.15
M 1.1×0.25	0.85	(0.829)	(0.885)	M10×1.5	8.50	8.38	8.68	M22×2.5	19.50	19.29	19.74
M 1.2×0.25	0.95	(0.929)	(0.985)	M10×1.25	8.80	8.65	8.91	M22×2	20.00	19.84	20.21
M 1.4×0.3	1.10	(1.075)	(1.142)	M10×1	9.00	8.92	9.15	M22×1.5	20.50	20.38	20.68
M 1.6×0.35	1.25	1.22	1.32	M10×0.75	9.30	9.19	9.38	M22×1	21.00	20.92	21.15
M 1.8×0.35	1.45	1.42	1.52	M11×1.5	9.50	9.38	9.68	M24×3	21.00	20.75	21.25
M 2 ×0.4	1.60	1.57	1.68	M11×1	10.00	9.92	10.15	M24×2	22.00	21.84	22.21
M 2.2×0.45	1.75	1.71	1.84	M11×0.75	10.30	10.19	10.38	M24×1.5	22.50	22.38	22.68
M 2.5×0.45	2.10	2.01	2.14	M12×1.75	10.30	10.11	10.44	M24×1	23.00	22.92	23.15
M 2.5×0.35	2.20	2.12	2.22	M12×1.5	10.50	10.38	10.68	M25×2	23.00	22.84	23.21
M 3 ×0.5	2.50	2.46	2.60	M12×1.25	10.80	10.65	10.91	M25×1.5	23.50	23.38	23.68
M 3 ×0.35	2.70	2.62	2.72	M14×2	12.00	11.84	12.21	M25×1	24.00	23.92	24.15
M 3.5×0.35	3.20	3.12	3.22	M14×1.5	12.50	12.38	12.68	M26×1.5	24.50	24.38	24.68
M 4 ×0.7	3.30	3.24	3.42	M14×1	13.00	12.92	13.15	M27×3	24.00	23.75	24.25
M 4 ×0.5	3.50	3.46	3.60	M15×1.5	13.50	13.38	13.68	M27×2	25.00	24.84	25.21
M 4.5×0.5	4.00	3.96	4.10	M15×1	14.00	13.92	14.15	M27×1.5	25.50	25.38	25.68
M 5 ×0.8	4.20	4.13	4.33	M16×2	14.00	13.84	14.21	M27×1	26.00	25.92	26.15
M 5 ×0.5	4.50	4.46	4.60	M16×1.5	14.50	14.38	14.68	M28×2	26.00	25.84	26.21
M 5.5×0.5	5.00	4.96	5.10	M16×1	15.00	14.92	15.15	M28×1.5	26.50	26.38	26.68
M 6 ×1	5.00	4.92	5.15	M17×1.5	15.50	15.38	15.68	M28×1	27.00	26.92	27.15
M 6 ×0.75	5.30	5.19	5.38	M17×1	16.00	15.92	16.15	M30×3.5	26.50	26.21	26.77
M 7 ×1	6.00	5.92	6.15	M18×2.5	15.50	15.29	15.74	M30×3	27.00	26.75	27.25
M 7 ×0.75	6.30	6.19	6.38	M18×2	16.00	15.84	16.21	M30×2	28.00	27.84	28.21
M 8 ×1.25	6.80	6.65	6.91	M18×1.5	16.50	16.38	16.68	M30×1.5	28.50	28.38	28.68
M 8 ×1	7.00	6.92	7.15	M18×1	17.00	16.92	17.15	M30×1	29.00	28.92	29.15
M 8 ×0.75	7.30	7.19	7.38	M20×2.5	17.50	17.29	17.74	M32×2	30.00	29.84	30.21
M 9 ×1.25	7.80	7.65	7.91	M20×2	18.00	17.84	18.21	M32×1.5	30.50	30.38	30.68
M 9 ×1	8.00	7.92	8.15	M20×1.5	18.50	18.38	18.68				

JIS2

ドリル各部の名称 JIS B 0171より抜粋

钻头各部分名称 节选自JIS B 0171



方便的网上检索功能!
订购轻松省心, 发注快捷!



机械加工工具 e-Catalog

<http://cn.misumi-ec.com/tool/>

MISUMI
机械加工工具2010



ねじ下穴用ドリルの直径

螺纹底孔用钻头直径

公制螺纹

M×P	D		
M 2 × 0.4	1.60	1.57	1.68
M 2.2 × 0.45	1.75	1.71	1.84
M 2.5 × 0.45	2.10	2.01	2.14
M 3 × 0.5	2.50	2.46	2.60
M 4 × 0.7	3.30	3.24	3.42
M 5 × 0.8	4.20	4.13	4.33
M 6 × 1	5.00	4.92	5.15
M 7 × 1	6.00	5.92	6.15
M 8 × 1.25	6.80	6.65	6.91
M 8 × 1	7.00	6.92	7.15
M10 × 1.5	8.50	8.38	8.68
M10 × 1.25	8.80	8.65	8.91
M10 × 1	9.00	8.92	9.15

JIS2

M×P	D		
M12×1.75	10.30	10.11	10.44
M12×1.5	10.50	10.38	10.68
M12×1.25	10.80	10.65	10.91
M14×2	12.00	11.84	12.21
M14×1.5	12.50	12.38	12.68
M16×2	14.00	13.84	14.21
M16×1.5	14.50	14.38	14.68
M18×2.5	15.50	15.29	15.74
M18×1.5	16.50	16.38	16.68
M20×2.5	17.50	17.29	17.74
M20×1	19.00	18.92	19.15

公制螺纹(使用挤压丝锥时)

M×P	D		
M 2 × 0.4	1.83	1.81	1.85
M 2.2 × 0.45	2.00	1.98	2.03
M 2.5 × 0.45	2.30	2.28	2.33
M 3 × 0.5	2.78	2.76	2.81
M 4 × 0.7	3.68	3.65	3.70
M 5 × 0.8	4.63	4.59	4.66
M 6 × 1	5.53	5.48	5.57
M 7 × 1	6.53	6.48	6.57
M 8 × 1.25	7.39	7.34	7.41
M 8 × 1	7.53	7.48	7.57
M10 × 1.5	9.24	9.18	9.28
M10 × 1.25	9.39	9.34	9.41
M10 × 1	9.53	9.48	9.57

JIS2

M×P	D		
M12×1.75	11.12	11.05	11.15
M12×1.5	11.24	11.18	11.28
M12×1.25	11.39	11.34	11.41
M14×2	13.00	12.92	13.04
M14×1.5	13.27	13.21	13.30
M16×2	15.00	14.92	15.04
M16×1.5	15.27	15.21	15.30
M18×2.5	16.73	16.63	16.78
M18×1.5	17.28	17.22	17.31
M20×2.5	18.73	18.63	18.78
M20×1	19.28	19.22	19.31

美制螺纹

	D		
4-40	2.2	2.16	2.36
5-40	2.5	2.49	2.69
6-32	2.7	2.65	2.86
8-32	3.4	3.31	3.52
10-24	3.7	3.68	3.91
12-24	4.4	4.34	4.57
1- 4-20	5.0	4.98	5.25
5-16-18	6.5	6.41	6.72
3- 8-16	7.9	7.81	8.15
7-16-14	9.2	9.1	9.5
1- 2-13	10.7	10.6	11.0
9-16-12	12.2	12.0	12.3
5- 8-11	13.5	13.4	13.8
3- 4-10	16.5	16.3	16.8
7- 8- 9	19.3	19.2	19.6
1- 8	22.2	22.0	22.5

锥管螺纹丝锥(JIS B 0203)

	Rc PT	
1/16	6.230	6.2
1/ 8	8.235	8.2
1/ 4	10.941	10.9
3/ 8	14.428	14.4
1/ 2	17.950	18
3/ 4	23.349	23
1	29.423	29
1 1/ 4	37.94	38
1 1/ 2	43.833	44